

ES100 Series Electric Strike

General Description

The ES100 is a cost efficient robust electric strike with a solid construction of one-piece cast aluminium body and stainless steel striker. The ES100 offers the same level of security and reliability usually provided by more expensive electric locking solutions.

Extension lips are available to accommodate the installation of electric strikes on door frames with different thickness. The ES100 product range of patented electric strikes are suitable for use with all access control installations where flexibility, security and lower cost are required.

Key Features

- Fail safe/fail secure changeable on site
- Stainless steel striker for extra strength and durability
- Stainless steel locking pins
- Available in 12 or 24Vdc
- Optional mounting kit
- Installation template
- IP56 weather resistant version available
- Suitable For 15mm latch with a 3mm door gap
- **TRICARE**® 5 Year Warranty

Applications

- Exposed areas (weather resistant models)
- High traffic areas
- Open in/open out doors
- Suitable for use with all access control systems



Standards and Compliance



Successfully fire rated up to 4hrs on fire door assemblies in accordance with AS1905.1. 2005 (Part 1: Fire resistant door sets)



Approved to UL1034 (highest level)



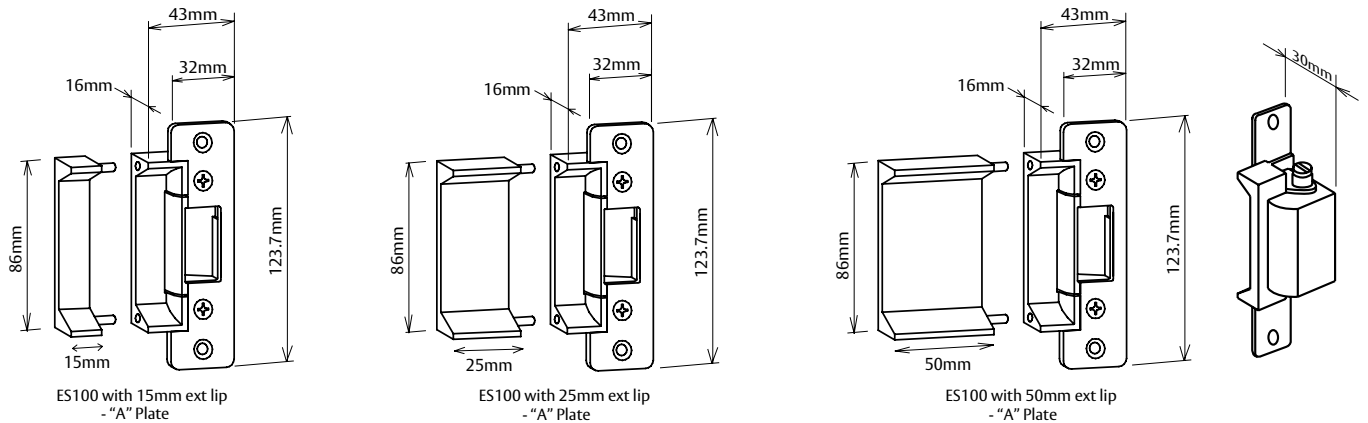
CE Approved



C-Tick Certified

Weather Resistant Version (IP56) available

ES100 Series Electric Strike



Ordering Information

Product Description	Part Number	ES100 Technical Information
12V Electric Strike		
12V Fail Safe Aluminium Faceplate (A)	110101-010	Voltage 12 or 24Vdc
12V Fail Safe Aluminium Faceplate (A) - Lipless	110101-020	Current 243 mA @ 12Vdc – 187mA @ 24Vdc
12V Fail Safe Stainless Steel Faceplate (A) - Lipless	110101-030	Solenoid Solenoids are rated for continuous use.
12V Fail Safe Stainless Steel Faceplate (A)	110101-060	Monitoring None
12V Fail Safe Weather Resistant Stainless Steel Faceplate (A)	110101-070	Holding Force 680 kg Static Strength Rating
12V Fail Safe Long Aluminium Faceplate (B)	110101-080	Endurance Cycle tested to 1,000,000 operations
12V Fail Safe Slim Aluminium Faceplate square corners (C)	110101-120	Environment Operational temperature range -20°C to + 60°C Weather resistant construction available. (IP56)
12V Fail Safe Stainless Steel Faceplate left hand (F)	110101-140	Body Cast Aluminium Construction
12V Fail Safe Stainless Steel Square Corner Faceplate (A) - Lipless	110101-180	Keeper Stainless Steel
12V Fail Safe Stainless Steel Euro Faceplate left hand (D)	110101-190	Latch Suit 15mm latch bolt with 3 mm door gap
12V Fail Safe Stainless Steel Euro Faceplate right hand (E)	110101-195	
12V Fail Safe Stainless Steel Euro Faceplate right hand (D) - Lipless	110101-200	
12V Fail Secure Aluminium Faceplate (A)	110102-010	
12V Fail Secure Weather Res. Aluminium Square Corner Faceplate (A)	110102-050	
12V Fail Secure Stainless Steel Faceplate(A)	110102-060	
12V Fail Secure Weather Res. Stainless Steel Faceplate (A)	110102-070	
12V Fail Secure Long Aluminium Faceplate (B)	110102-080	
12V Fail Secure Long Aluminium Faceplate (B) - Lipless	110102-085	
12V Fail Secure Slim Square Corner Aluminium Faceplate (C)	110102-120	
12V Fail Secure Stainless Steel Faceplate Right Hand UK Sash DIN (G)	110102-090	
12V Fail Secure Stainless Steel Faceplate Left Hand UK Sash DIN (G)	110102-150	
24V Electric Strike		
24V Fail Safe Aluminium Faceplate (A)	110103-010	
24V Fail Safe Stainless Steel Square Corner Face plate (A)	110103-030	
24V Fail Safe Weather Resistant Stainless Steel Faceplate (A)	110103-070	
24V Fail Safe Stainless Steel Faceplate Right Hand UK Sash DIN (G)	110103-150	
24V Fail Secure Aluminium Faceplate (A)	110104-010	
24V Fail Secure Aluminium Faceplate (A) - Lipless	110104-030	
24V Fail Secure Stainless Steel Square Corner Faceplate (A)	110104-040	
24V Fail Secure Stainless Steel Square Corner Face Plate (A) - Lipless	110104-050	
24V Weather Res Fail Secure Stainless Steel Face Plate (A)	110104-070	
24V Fail Secure Long Aluminium Faceplate (B)	110104-080	
24V Fail Secure Long Aluminium faceplate (B)	110104-085	
24V Fail Secure Aluminium Square Corner Slim Face Plate (C)	110104-120	
Specification Statement		
Where Power to Lock and Power to Open functions may be required in the same building, the strike must be interchangeable from either "Power to Lock" or "Power to Open" on site.		
The electric strike should not consume current greater than 243mA @ 12Vdc or 187mA @ 24Vdc and have a solenoid suitable for continuous use. Certifications must include CE, C-tick and 4hr fire rating.		
The strike should have a minimum holding force of 680kg, and an endurance rating of 1 million cycles.		
Accessories		
Product Description	Part Number	
15mm Extension Lip (26mm total)	220100-506	
25mm Extension Lip (36mm total)	220100-507	
50mm Extension Lip (61mm total)	220100-508	
Mounting Kit	220200-518	

Note: For additional face plate options see page 10.

ES110 Series Electric Strike

General Description

The ES110 is a cost efficient robust electric strike with a solid construction of one-piece cast aluminium body and stainless steel striker. Having a deeper than normal strike-keeper area, ES110 is designed to work with an extensive range of locks and offers the same level of security and reliability usually provided by more expensive electric locking solutions.

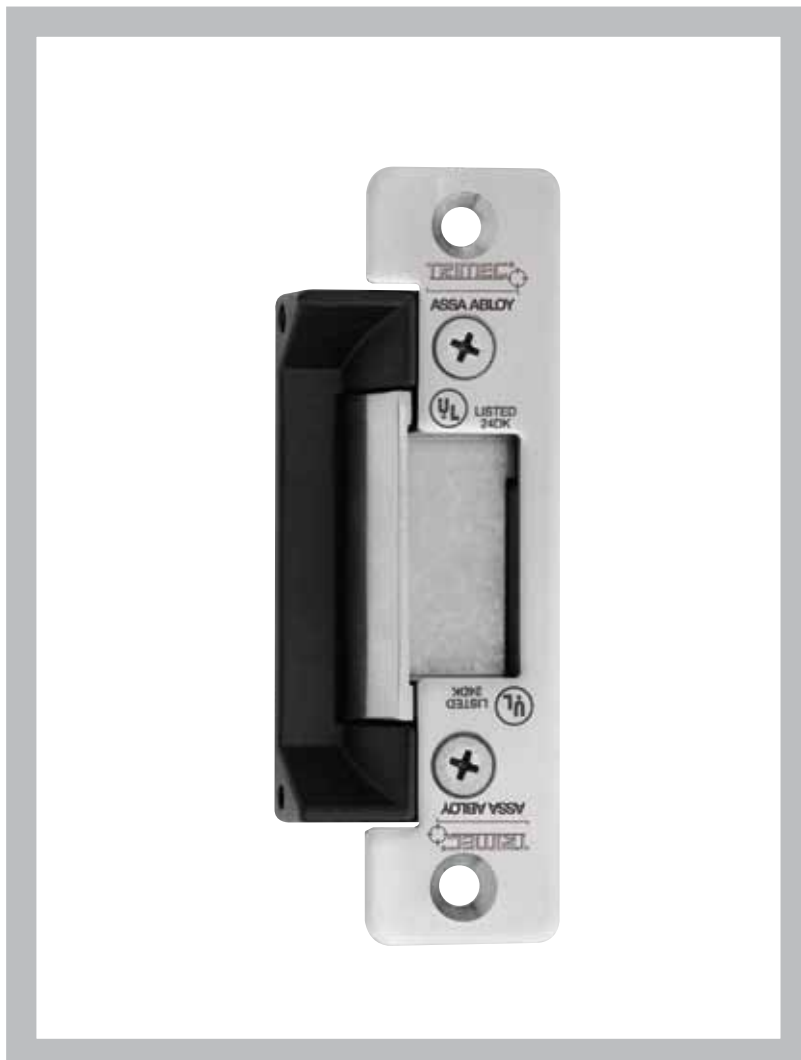
Extension lips are available to accommodate the installation of electric strikes on door frames with different thickness. The ES110 product range of patented electric strikes are suitable for use with all access control installations where flexibility, security and lower cost are required.

Key Features

- Fail safe/fail secure changeable on site
- Stainless steel striker for extra strength and durability
- Stainless steel locking pins
- Available in 12 or 24Vdc
- Optional mounting kit
- Installation template
- IP56 weather resistant version available
- Suitable For 18mm latch with a 3mm door gap
- **TRICARE**® 5 Year Warranty

Applications

- Exposed areas (weather resistant models)
- High traffic areas
- Open in/open out doors
- Suitable for use with all access control systems



Standards and Compliance



Successfully fire rated up to 4hrs on fire door assemblies in accordance with AS1905.1. 2005 (Part 1: Fire resistant door sets)



Approved to UL1034 (highest level)



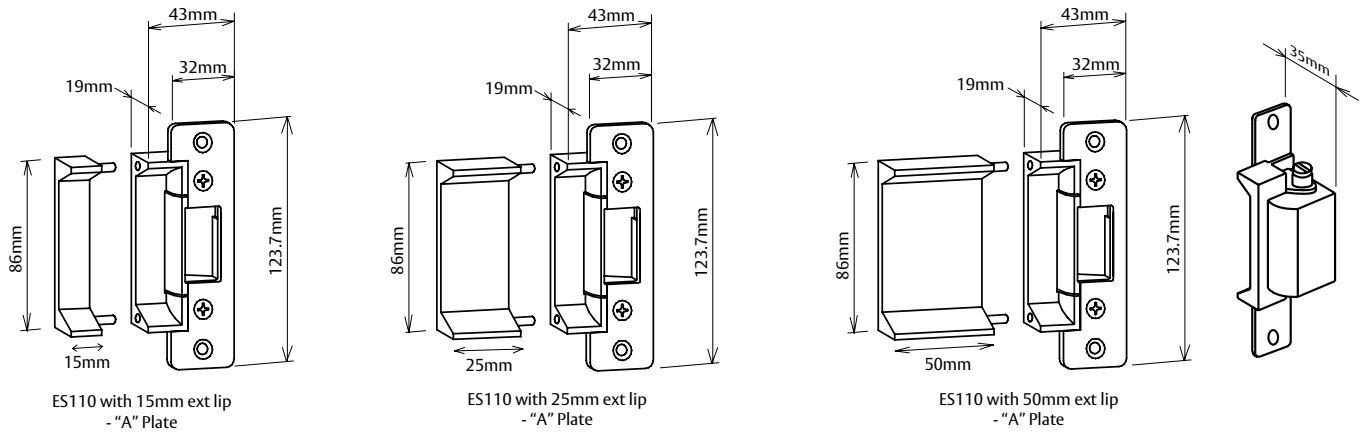
CE Approved



C-Tick Certified

Weather Resistant Version (IP56) available

ES110 Series Electric Strike



ES110 Technical Information	
Voltage	12 or 24Vdc
Current	243 mA @ 12Vdc – 187mA @ 24Vdc
Solenoid	Solenoids are rated for continuous use
Monitoring	None
Holding Force	680 kg Static Strength Rating
Endurance	Cycle tested to 1,000,000 operations
Environment	Operational temperature range -20°C to +60°C Weather resistant construction available (IP56)
Body	Cast Aluminium Construction
Keeper	Stainless Steel
Latch	Suit 15mm latch bolt with 3 mm door gap

Ordering Information

Product Description	Part Number
12V Electric Strike	
12V Fail Safe Aluminium Face Plate (A)	110111-000
12V Fail Safe Stainless Steel Face Plate (A)	110111-050
12V Fail Safe Weather Resistant Stainless Steel Face Plate (A)	110111-060
12V Fail Safe Long Aluminium Faceplate (B)	110111-070
12V Fail Safe Long Stainless Steel Face plate (B)	110111-100
12V Fail Safe Weather Resistant Long Stainless Steel Faceplate (B)	110111-110
12V Fail Safe Aluminium Euro Faceplate left hand (D)	110111-180
12V Fail Secure Aluminium Faceplate (A)	110112-000
12V Fail Secure Stainless Steel Faceplate (A)	110112-050
12V Fail Secure Weather Resistant Stainless Steel Faceplate (A)	110112-060
12V Fail Secure Stainless Steel Faceplate right hand UK Sash DIN (G)	110112-170
12V Fail Secure Stainless Steel Faceplate left hand UK Sash DIN (F)	110112-180
24V Electric Strike	
24V Fail Safe Aluminium Faceplate (A)	110113-000
24V Fail Safe Stainless Steel Faceplate (A)	110113-050
24V Fail Safe Long Stainless Steel Faceplate (B)	110113-100
24V Fail Secure Aluminium Faceplate (A)	110114-000
24V Fail Secure Stainless Steel Faceplate (A)	110114-050

Note: For additional face plate options see page 10.

Specification Statement

Where Power to Lock and Power to Open functions may be required in the same building, the strike must be interchangeable from either “Power to Lock” or “Power to Open” on site.

The electric strike should not consume current greater than 243mA @ 12Vdc or 187mA @ 24Vdc and have a solenoid suitable for continuous use. Certifications must include CE, C-tick and 4hr fire rating.

The strike should have a minimum holding force of 680kg, and an endurance rating of 1 million cycles.

Accessories

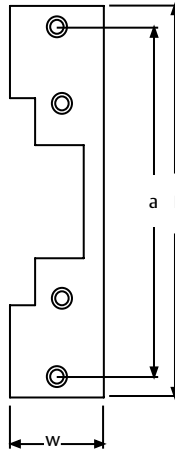
Product Description	Part Number
15mm Extension Lip (26mm total)	220110-502
25mm Extension Lip (36mm total)	220110-503
50mm Extension Lip (61mm total)	220110-504
Mounting Kit	220200-518

ES100 / ES110 Faceplate Options

Faceplates

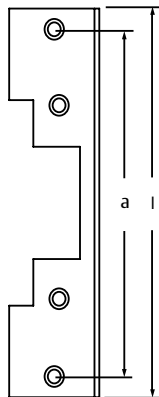
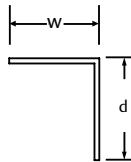
Faceplate Style	l	w	a	Part Number
A (ANSI Short) - SS	123.7	31.7	104.8	200100-544
A (ANSI Short) - AL	123.7	31.7	104.8	200100-535
B (ANSI Long) - SS	201.6	36.3	185.7	210100-530
B (ANSI Long) - AL	201.6	36.3	185.7	210100-536
C (Slim) - SS	150	28.6	136.1	200100-519
C (Slim) - AL	150	28.6	136.1	200100-520

Note: SS - Stainless Steel, AL - Aluminium



Faceplate Style	l	w	d	a	Part Number
J - AL	201.6	32	16	185.7	210100-523

Note: AL - Aluminium



Faceplate Style	l	w	a	b	Part Number
D (Euro Sash RH) [DIN Left] - SS	209	31.7	60	11.7	210100-538
E (Euro Sash LH) [DIN Right] - SS	209	31.7	60	11.7	210100-539
F (UK Sash RH) [DIN Left] - SS	251	25	74	12	210100-528
G (UK Sash LH) [DIN Right] - SS	251	25	74	12	210100-527
K (Short Sash LH) [DIN Left] - SS	182	32	36.5	14.7	210100-549
L (Short Sash RH) [DIN Right] - SS	182	32	36.5	14.7	210100-550

Note: SS - Stainless Steel
All face plates are sold separately

